



cleaning  
systems  
for liquids

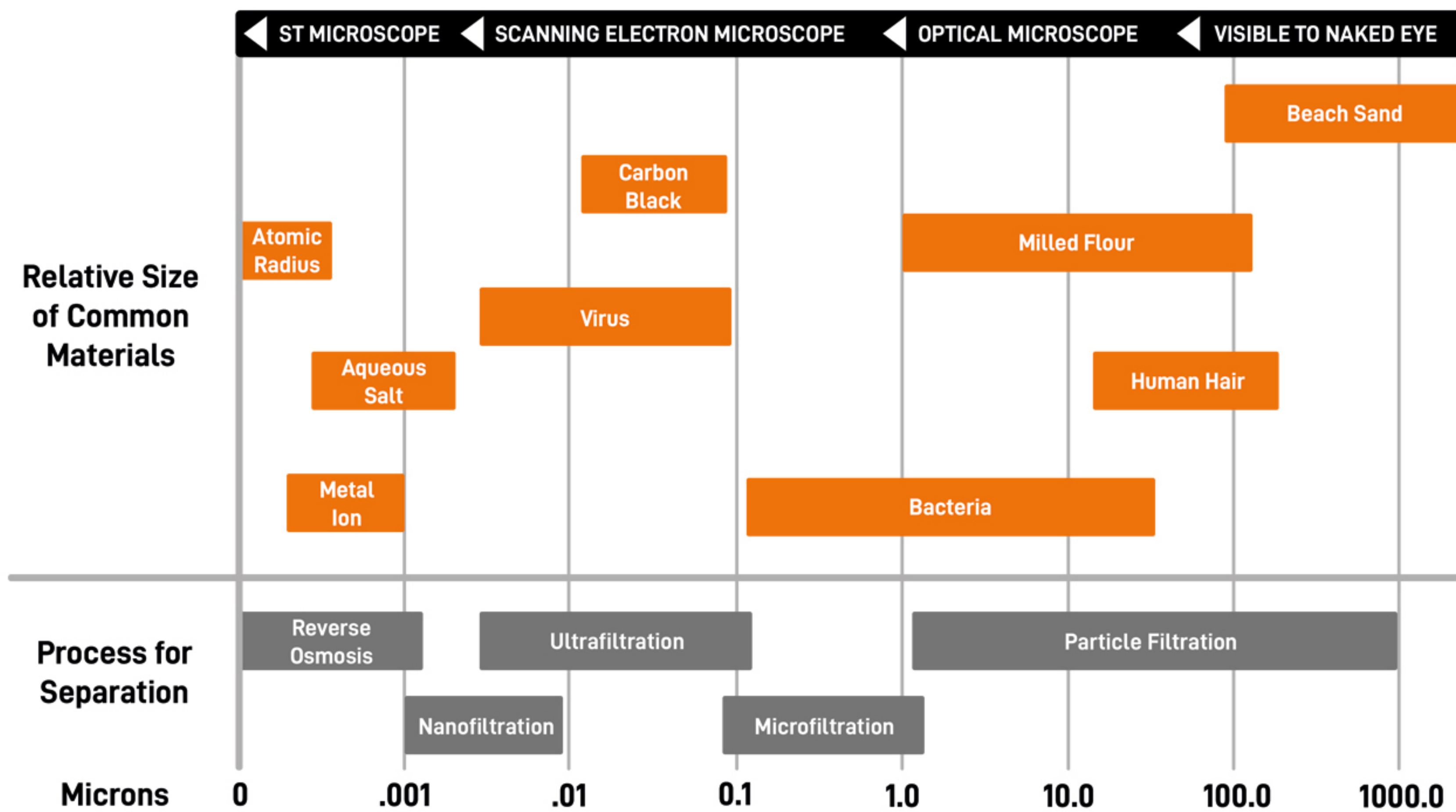


# Washwater treatment

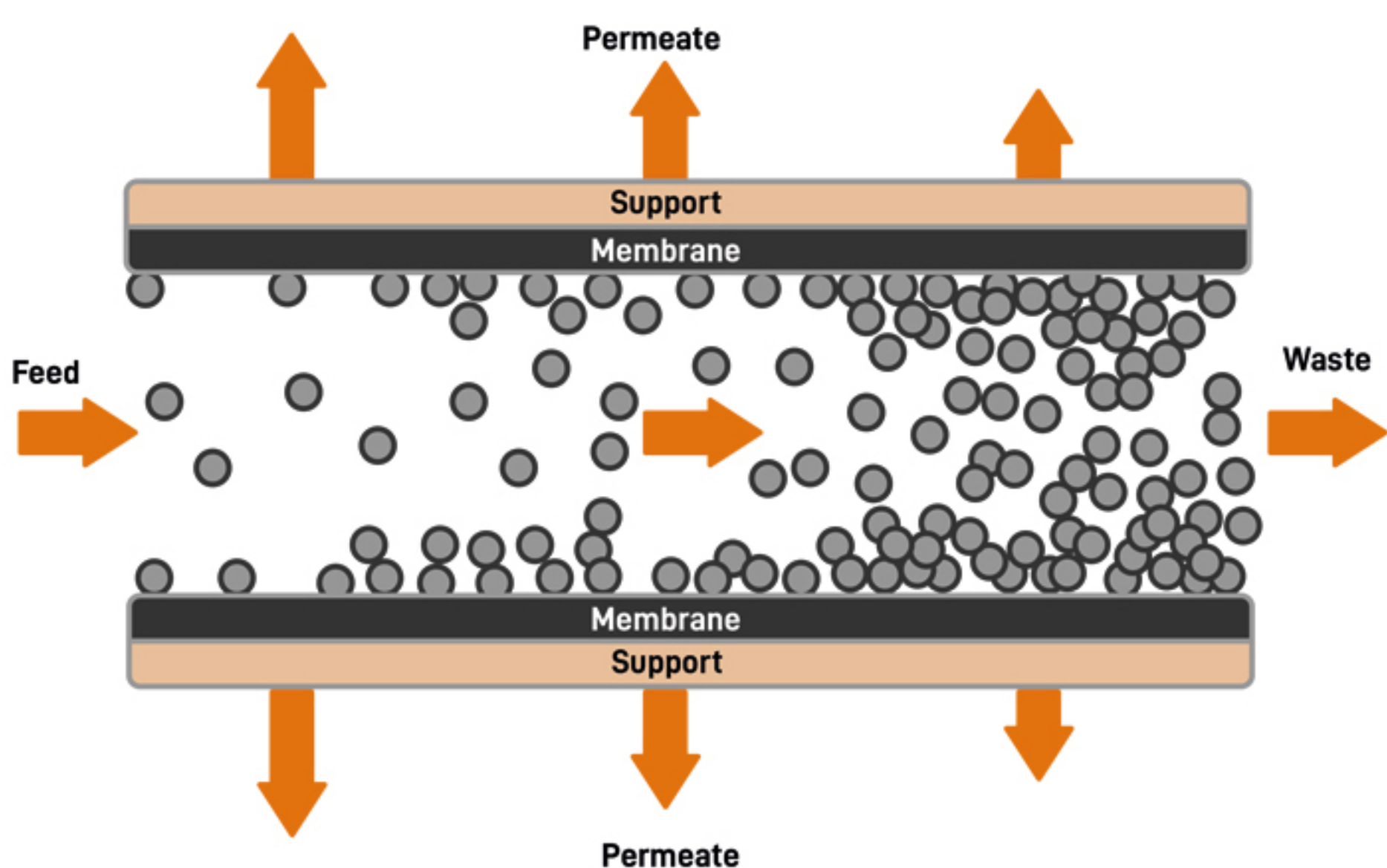
# Washwater treatment - instead of expensive disposal

Do you still have your washwater disposed of every fortnight for expensive money? The cleaning system also requires intensive maintenance and care at regular intervals?

With MKR ultrafiltration you save yourself the expensive third-party disposal and also yours Cleaning system will thank you. With our ultrafiltration your washing water processed in bypass operation, filtered and the cleaning process with almost no extra addition of washing chemicals added again. Up to 20 times longer service life not only saves disposal costs, but also ensures less downtime and bathroom waste. change, also for higher machine availability. This means our ultrafiltration system for consistently high quality after the washing process.



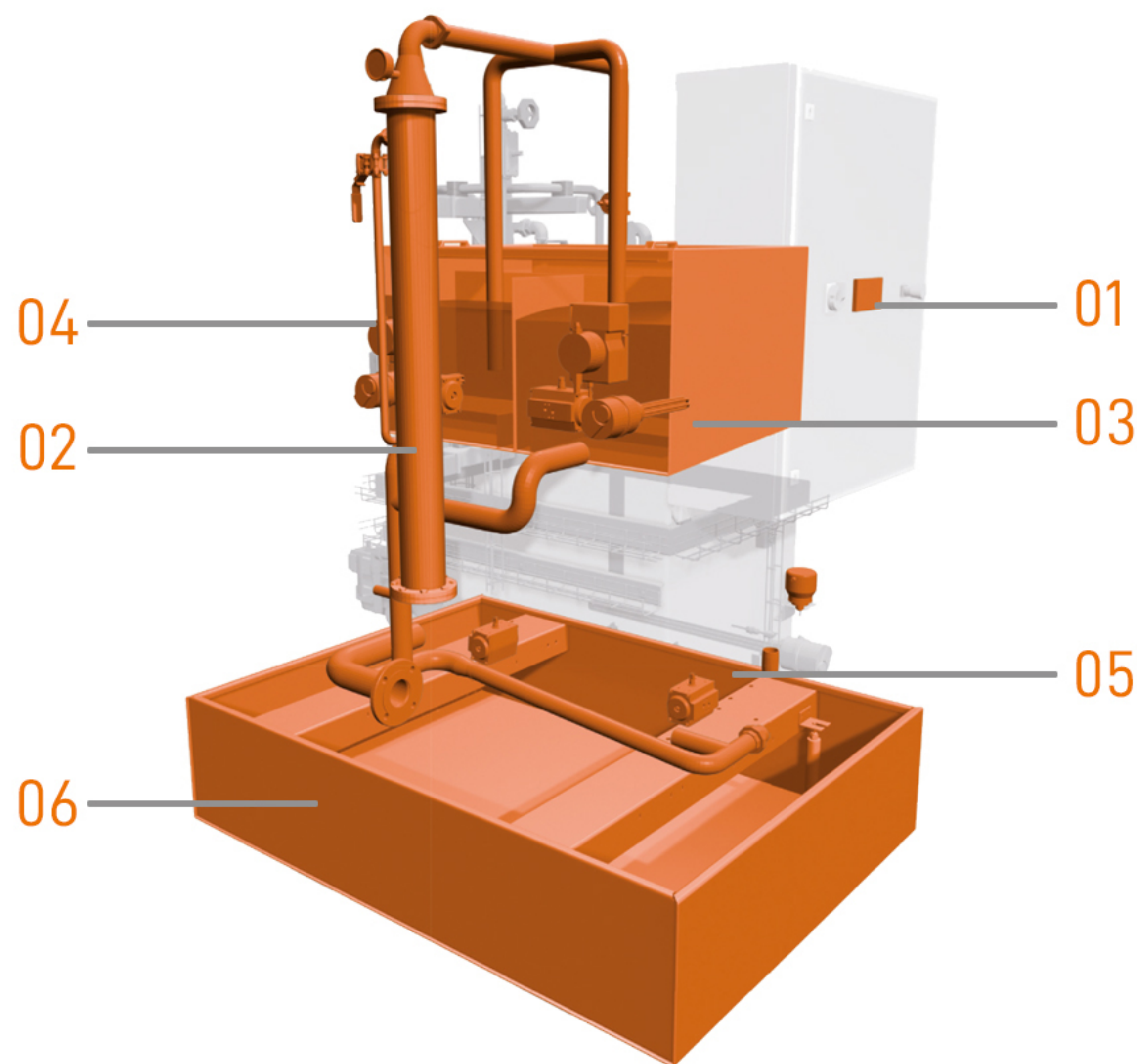
## Membrane Filtration Technology



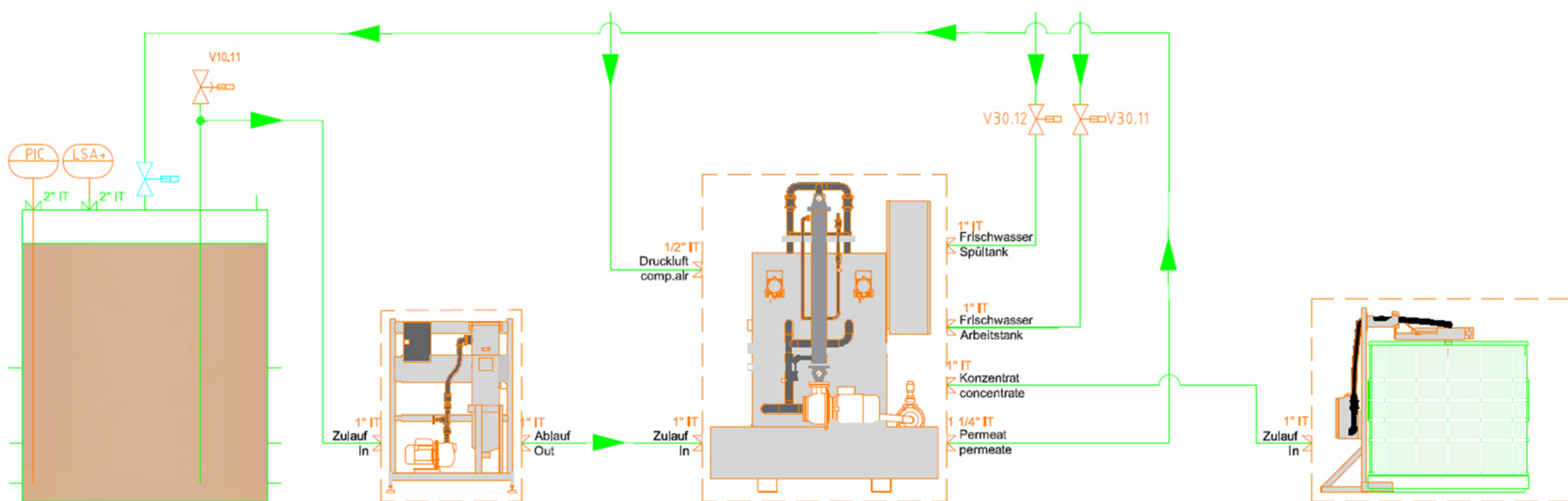
# Brilliant technology made of stainless steel and ceramics

## 6 technical highlights

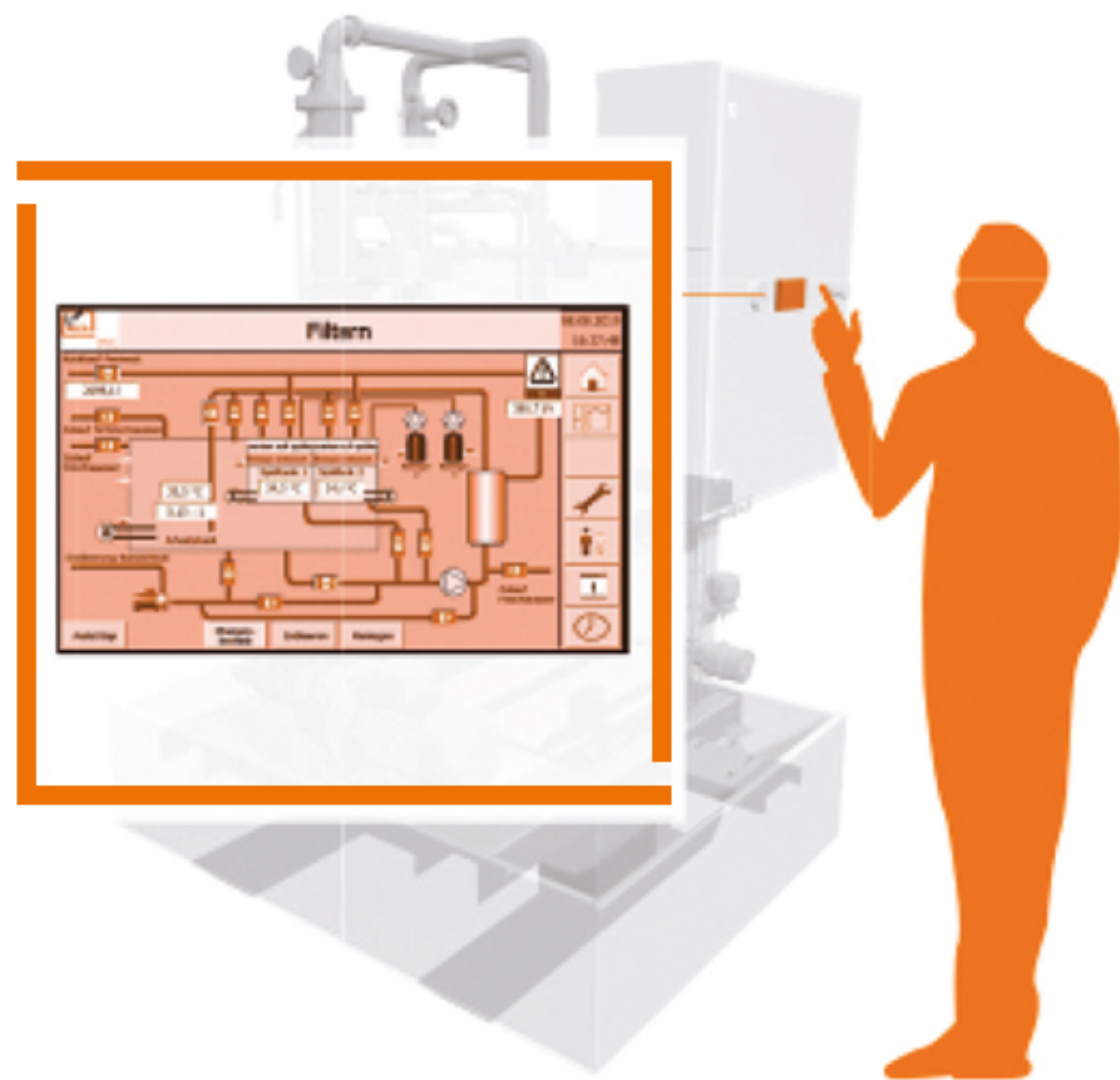
Our MKR ultrafiltration systems are characterized by a simple operation and automatic cleaning and the lowest operating costs. The components are mainly made of high quality stainless steel and ceramics and thus guarantee a long service life of the system. The filter fineness of the system can also be adjusted, so that partly also nano and microparticles without the use of chemicals can be filtered through the membranes.



Wastewater treatment



# Highlights:



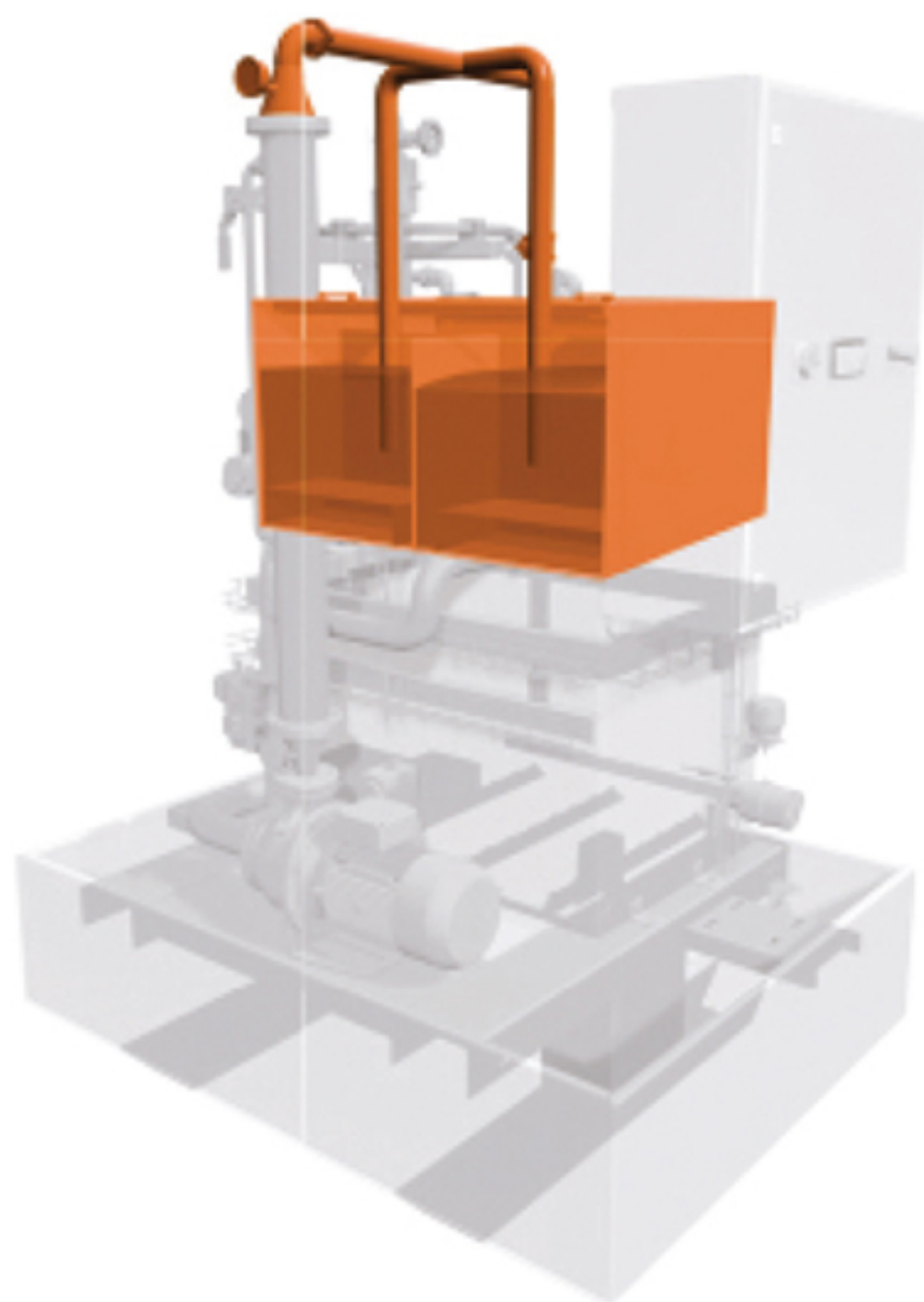
## 01: INTUITIVE PLANT CONTROL

The intelligent and intuitive plant control automatically concentrates with variably adjustable operating parameters.



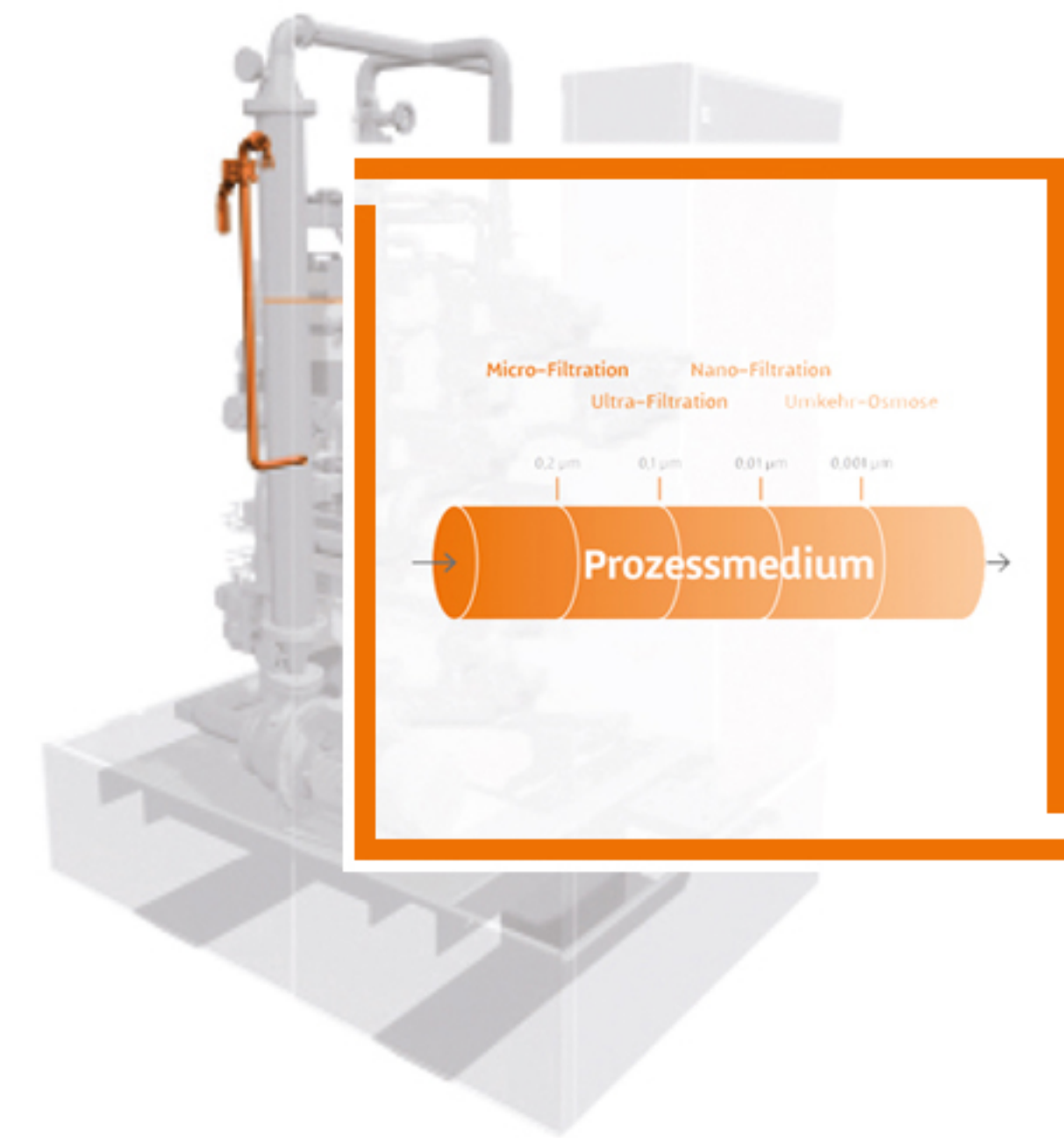
## 02: MODULAR FILTER SYSTEM

The modular system offers a filter area from 1 to 48 m<sup>2</sup>. The permeate output varies from 100 to 5000 l/h. The membrane filter ceramics are available in different versions and particle ratings.



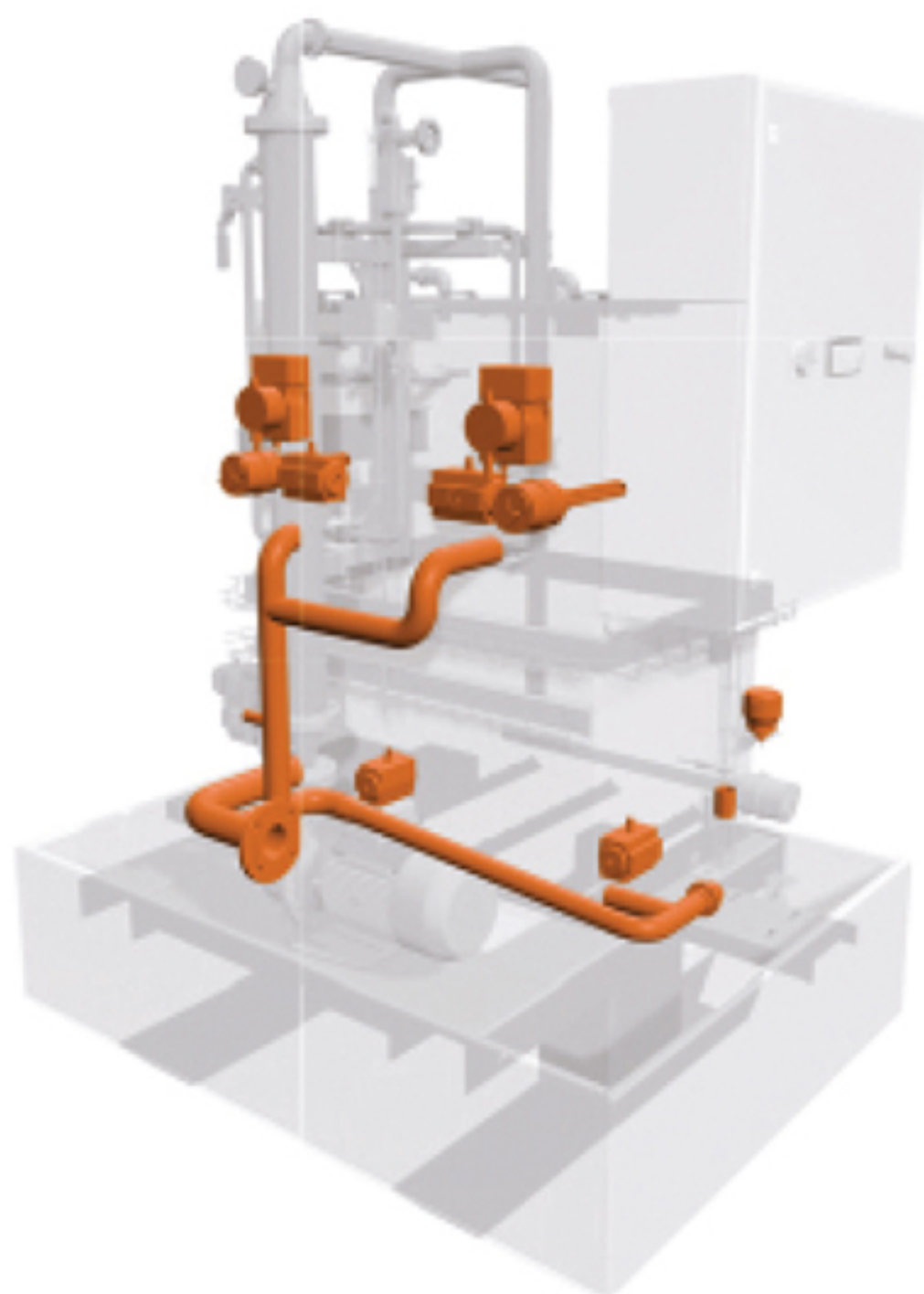
## 03: LOW MAINTENANCE EFFORT

Care of the unit requires little effort and is convenient, due to the integrated automatic self-cleaning for acidic and alkaline cleaning runs.



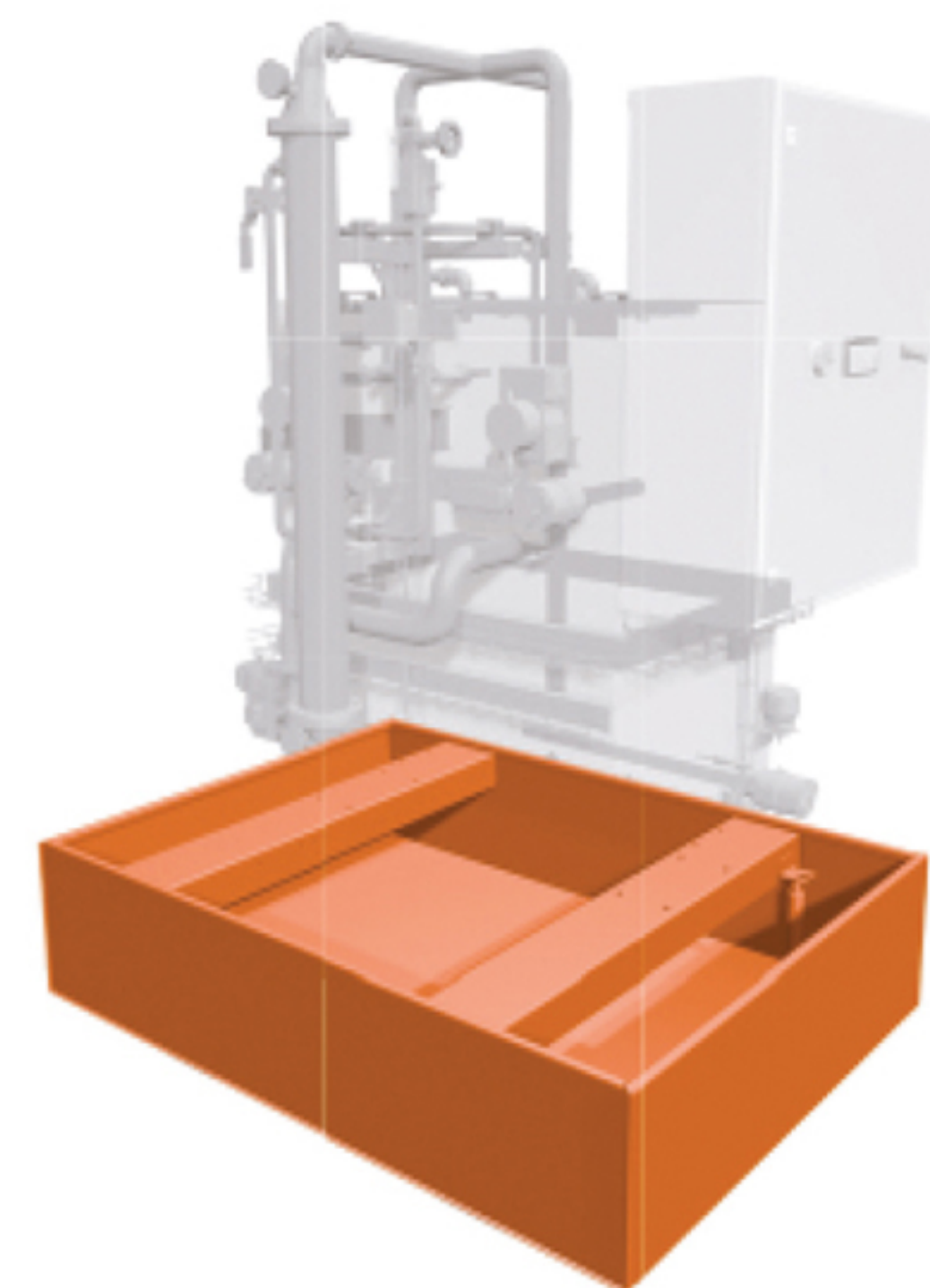
## 04: ADJUSTABLE FILTER FINENESS

Easy use of different particle ratings by changing the ceramic diaphragms, and with which the microfiltration, ultrafiltration and parts of nanofiltration ranges can be covered.



## 05: QUALITY MADE OF STAINLESS STEEL

The unit, which operates completely autonomously, with its sensors integrated into a closed system, carries out the complete ultrafiltration process fully automatically.



## 06: PRACTICAL CONTAINMENT BASIN

A sensor-monitored spillage tray (conforms to the WHG (German Water Management Act)) is available.



## UC 1

UNIT VALUE

### Capacity

Working tank	approx. l	500
Rinsing tank (on 2x) approx. l		50

### Dimensions

Length	mm	1700
Width	mm	1350
Height	mm	2150
Empty weight	kg	650
Output, permeate	L/h	50-300

(depending on the cut-off range, higher outputs are possible)

Suction head	m	2
Rinsing tank heater	kW	3
pH-value	pH	4 - 13
Temperature	°C	< 65
Compressed air connection bar	mind.	6
Power connection	V/A	400/16
3 Phasen, N und PE	Hz	50
Connected load	kW/A	8/16

### Dimensions with optional safety spillage tray

Length	mm	1700
Width	mm	1350
Height	mm	2350



## UC 2

UNIT VALUE

### Capacity

Working tank	approx. l	600
Rinsing tank (on 2x) approx. l		60

### Dimensions

Length	mm	1700
Width	mm	1350
Height	mm	2150
Empty weight	kg	770
Output, permeate	L/h	100-600

(depending on the cut-off range, higher outputs are possible)

Suction head	m	2
Rinsing tank heater	kW	3
pH-value	pH	4 - 13
Temperature	°C	< 65
Compressed air connection bar	mind.	6
Power connection	V/A	400/45
3 Phasen, N und PE	Hz	50
Connected load	kW/A	18/45

### Dimensions with optional safety spillage tray

Length	mm	1700
Width	mm	1350
Height	mm	2350



## UC 4

UNIT VALUE

### Capacity

Working tank	approx. l	900
Rinsing tank (on 2x) approx. l		100

### Dimensions

Length	mm	2200
Width	mm	2000
Height	mm	2300
Empty weight	kg	850
Output, permeate	L/h	200-1200

Suction head	m	2
Rinsing tank heater	kW	3
pH-value	pH	4 - 13
Temperature	°C	< 90
Power connection	V/A	400/35
3 Phasen, N und PE	Hz	50
Connected load	kW/A	18/35

### Dimensions with optional safety spillage tray

Length	mm	2200
Width	mm	2000
Height	mm	2600



## UC 6

UNIT VALUE

### Capacity

Working tank	approx. l	1500
Rinsing tank (on 2x) approx. l		150

### Dimensions

Length	mm	2600
Width	mm	2000
Height	mm	2500
Empty weight	kg	950
Output, permeate	L/h	800-1500

Suction head	m	2
Rinsing tank heater	kW	3
pH-value	pH	4-13
Temperature	°C	< 90
Power connection	V/A	400/35
3 Phasen, N und PE	Hz	50
Connected load	kW/A	18/35

### Dimensions with optional safety spillage tray

Length	mm	2600
Width	mm	2000
Height	mm	2850



## UC 8

UNIT VALUE

### Capacity

Working tank	approx. l	2500
Rinsing tank (on 2x) approx. l		200

### Dimensions ca.

Length	mm	2800
Width	mm	2000
Height	mm	2400
Empty weight	ca. t	1,5
Output, permeate	L/h	800-1500

(depending on the cut-off range, higher outputs are possible)

Heater per rinsing tank kW	6*
----------------------------	----

\*also higher, depending on the requirement

Working tank heater	kW	2 x 9*
pH-value	pH	4 - 13
Temperature	°C	< 65
Compressed air connection bar	min.	6
Power connection	V/A	400/80
3 Phasen, N und PE	Hz	50
Connected load	kW/A	50/80

\*also higher, depending on the requirement



## UC 12

UNIT VALUE

### Capacity

Working tank	approx. l	2500
Rinsing tank (on 2x) approx. l		200

### Dimensions approx.

Length	mm	2800
Width	mm	2200
Height	mm	2400
Empty weight	approx. t	1,6
Leistung, Permeat	L/h	1200-2500

(depending on the cut-off range, higher outputs are possible)

Heater per rinsing tank kW	6*
----------------------------	----

\*also higher, depending on the requirement

Working tank heater	kW	2 x 9*
pH-value	pH	4 - 13
Temperature	°C	< 65
Compressed air connection bar	mind.	6
Power connection	V/A	400/80
3 Phasen, N und PE	Hz	50
Connected load	kW/A	50/80

\*also higher, depending on the requirement

## Your benefits at a glance:

- Longer service life of the and rinse baths
- Lower chemical consumption
- Higher quality of the components
- Higher machine availability

# The success Story tradition becomes innovation.

Coolant treatment  
Machine cleaning  
Wastewater recycling  
**Washwater treatment**



**2023**  
ET MaXx ZLD  
*ET MaXx ZLD*



**2001**  
Fremdölabscheider  
*Tramp Oil Separator*



**1997**  
Verdampfer  
*Evaporator*



**1996**  
Ultrafiltration  
*Ultrafiltration*



**1992**  
Zentrifugen  
*Centrifuges*



**1990**  
Saug- und Filterwagen  
*Suction- and Filter Cart*



cleaning  
systems  
for liquids

**MKR Metzger GmbH**  
**Recyclingsysteme**  
Rappenfeldstrasse 4  
D-86653 Monheim  
Tel +49 (0) 9091 50 00 0  
Fax +49 (0) 9091 50 00 30

info@mkr-metzger.de  
www.mkr-metzger.de

